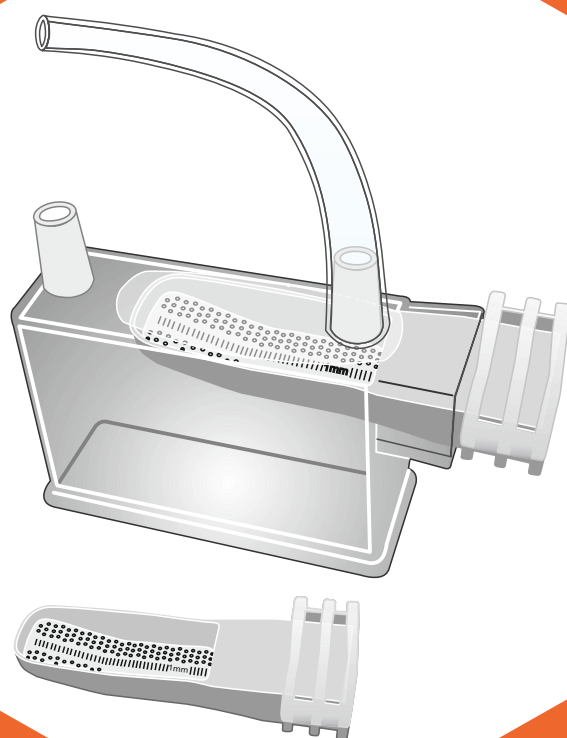


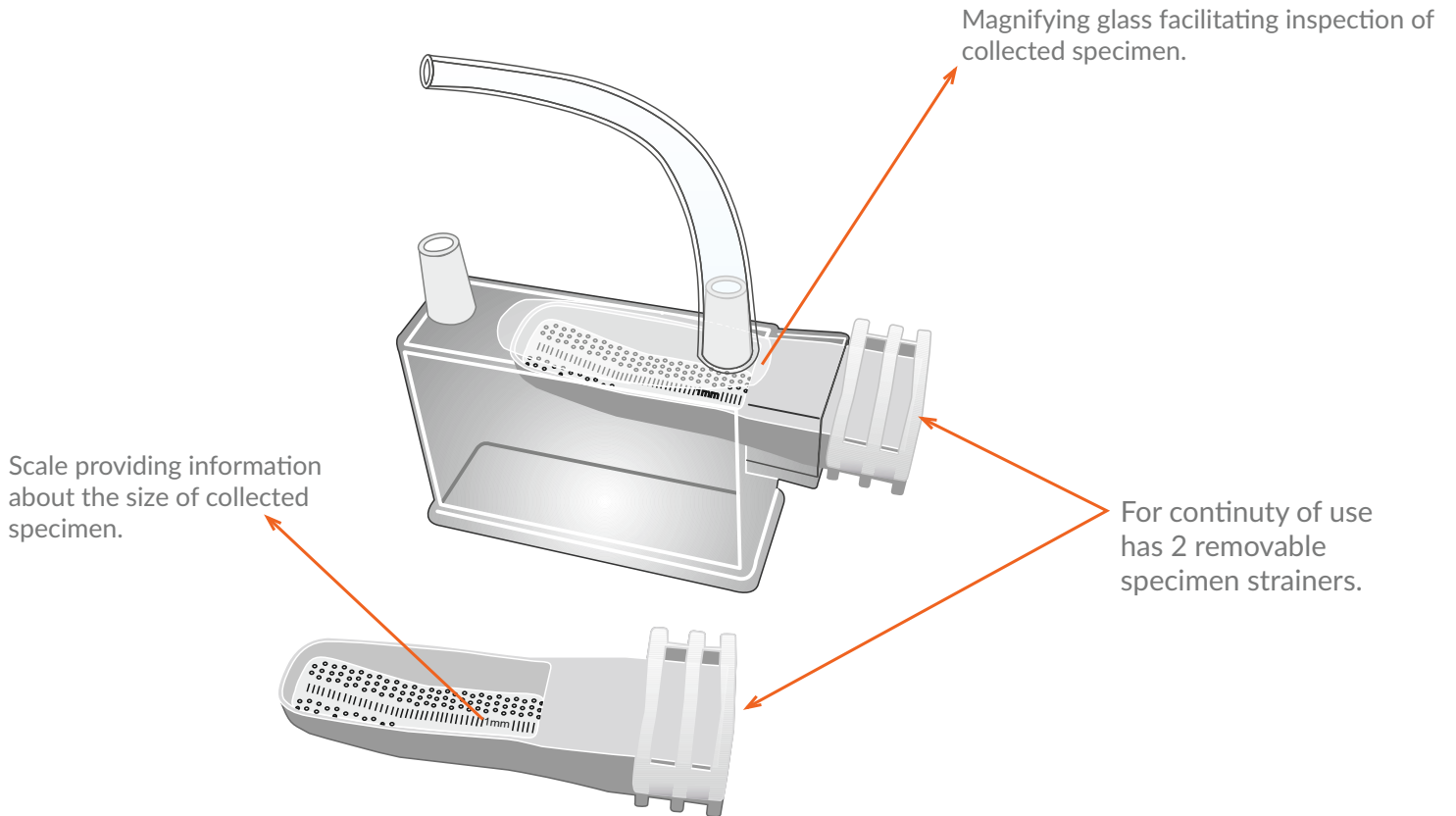
P-TRAP

ENDOSCOPY



Intended Use

Designed to facilitate uninterrupted suction and provide separation of polyps from collected endoscopic effluent. Feature clear plastic construction allowing for quick visual verification of polyp specimens. Single use to prevent cross-contamination. Non-sterile.



05TD0803 P-TRAP

Pergo Medikal ve İlaç Sanayi A.Ş.
Buca OSB Mah. 2/20 Sok. BEGOS Sit. No:9
Buca - İzmir / Turkey
☎ +90 232 2908929 ✉ cservices@pergomed.com
🌐 www.pergomed.com